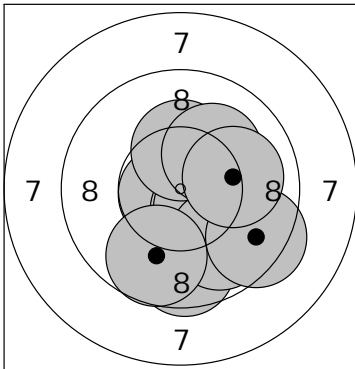


Lag 1 Skive 1

Sakskøbing 10m Åben 2018-1Stev - Sakskøbing Skytteforening

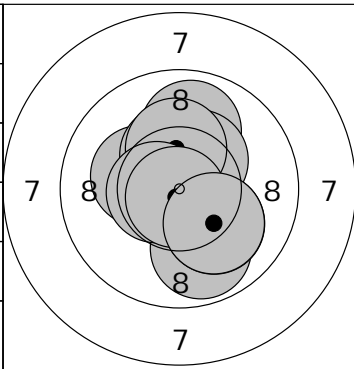
Ole Ebbe
Væggerløse Skytteforening

Klasse R-OB



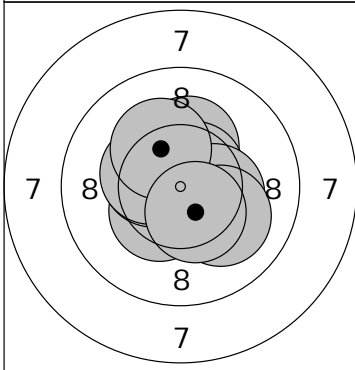
| | | | | | |
|---|-----|---|----|-----|---|
| 1 | *.7 | ○ | 6 | *.3 | ↑ |
| 2 | *.4 | ↘ | 7 | 9.4 | ↘ |
| 3 | 9.6 | ↓ | 8 | X.1 | ↗ |
| 4 | *.4 | ↘ | 9 | 9.7 | ↓ |
| 5 | 9.8 | ↘ | 10 | X.0 | → |

Match
S-10: 100.4



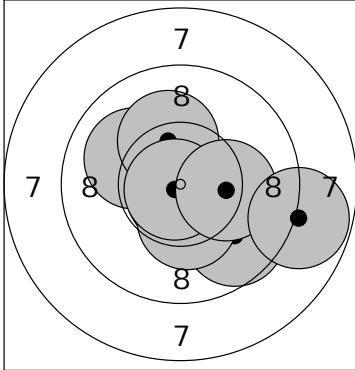
| | | | | | |
|----|-----|---|----|-----|---|
| 31 | 9.8 | ↓ | 36 | *.4 | ↗ |
| 32 | *.2 | ← | 37 | *.2 | ↑ |
| 33 | *.3 | ↑ | 38 | *.6 | ○ |
| 34 | X.1 | ↘ | 39 | *.8 | ○ |
| 35 | 9.9 | ↑ | 40 | X.1 | ↘ |

Match
S-10: 102.4
SUM: 407.1 (23) TOT: 407.1 (23)



| | | | | | |
|----|-----|---|----|-----|---|
| 11 | *.2 | ↑ | 16 | *.4 | ← |
| 12 | *.6 | ○ | 17 | *.4 | ← |
| 13 | *.4 | ↙ | 18 | X.1 | ↘ |
| 14 | *.6 | ○ | 19 | *.2 | ↗ |
| 15 | *.3 | → | 20 | *.4 | ↘ |

Match
S-10: 103.6



| | | | | | |
|----|-----|---|----|-----|---|
| 21 | *.8 | ○ | 26 | 9.6 | ↘ |
| 22 | X.0 | ↗ | 27 | *.3 | ↓ |
| 23 | X.1 | ↘ | 28 | *.8 | ○ |
| 24 | X.0 | ↘ | 29 | X.1 | → |
| 25 | *.2 | ↑ | 30 | 8.8 | → |

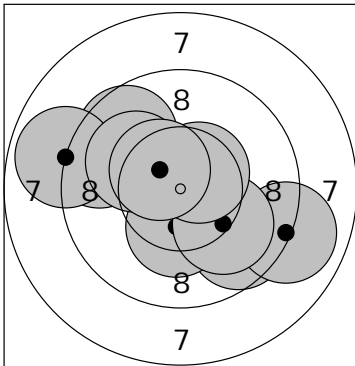
Match
S-10: 100.7

Lag 1 Skive 2

Sakskøbing 10m Åben 2018-1Stev - Sakskøbing Skytteforening

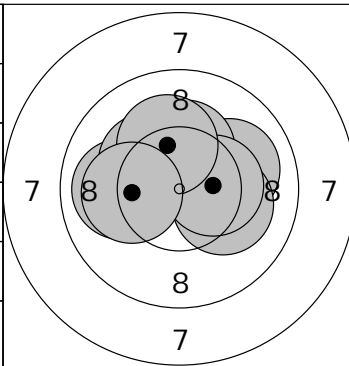
Preben Grubbe
Væggerløse Skytteforening

Klasse R-OB



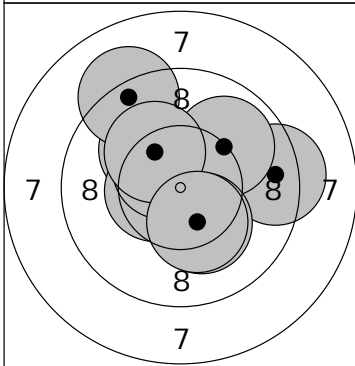
| | | | |
|---|-------|----|-------|
| 1 | 9.6 ↘ | 6 | *.3 ↓ |
| 2 | 9.4 ← | 7 | X.0 ← |
| 3 | 9.6 ↗ | 8 | X.0 ↓ |
| 4 | 8.9 ← | 9 | *.5 ↗ |
| 5 | 9.0 → | 10 | *.5 ↖ |

Match
S-10: 97.8



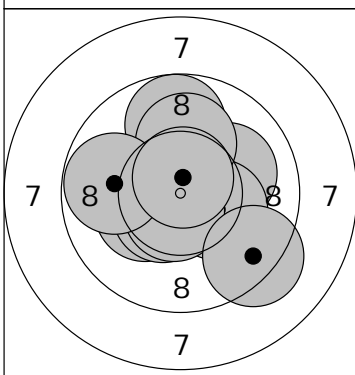
| | | | |
|----|-------|----|-------|
| 31 | *.4 ← | 36 | X.1 → |
| 32 | X.0 ← | 37 | *.3 ↑ |
| 33 | *.3 ↖ | 38 | *.4 → |
| 34 | X.0 → | 39 | *.2 ↑ |
| 35 | *.3 ↖ | 40 | X.1 ← |

Match
S-10: 102.8 ΣUM: 402.1 (20) TOT: 402.1 (20)



| | | | |
|----|-------|----|-------|
| 11 | *.7 ○ | 16 | 9.1 ↗ |
| 12 | X.1 ↗ | 17 | 9.9 ↗ |
| 13 | *.5 ← | 18 | *.2 ↗ |
| 14 | *.5 ↗ | 19 | *.2 ↓ |
| 15 | 9.3 → | 20 | *.3 ↓ |

Match
S-10: 100.8



| | | | |
|----|-------|----|-------|
| 21 | X.1 → | 26 | *.5 ↙ |
| 22 | *.2 → | 27 | *.6 ○ |
| 23 | *.3 ← | 28 | 9.8 ← |
| 24 | 9.8 ↑ | 29 | 9.3 ↓ |
| 25 | X.1 ↑ | 30 | *.7 ○ |

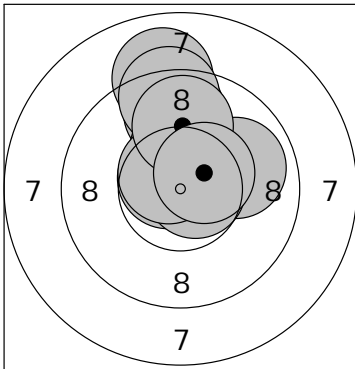
Match
S-10: 101.4

Lag 1 Skive 3

Sakskøbing 10m Åben 2018-1Stev - Sakskøbing Skytteforening

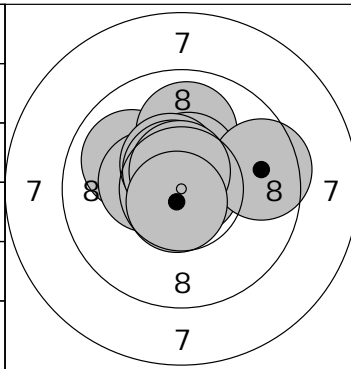
Lisbeth Pil
Nykøbing F. Skytteforening

Klasse R-S1



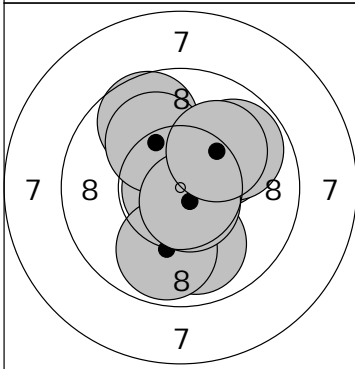
| | | | |
|---|-------|----|-------|
| 1 | *.7 ○ | 6 | *.7 ○ |
| 2 | 9.6 ↑ | 7 | 9.3 ↑ |
| 3 | 9.0 ↑ | 8 | *.6 ○ |
| 4 | *.3 ↑ | 9 | 9.9 ↑ |
| 5 | 9.9 → | 10 | *.5 ↗ |

Match
S-10: 100.5



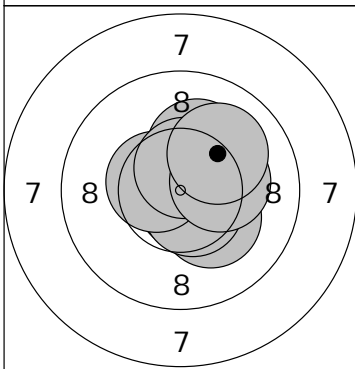
| | | | |
|----|-------|----|-------|
| 31 | 9.9 ← | 36 | *.8 ○ |
| 32 | *.4 ← | 37 | 9.5 → |
| 33 | X.0 ↑ | 38 | *.6 ○ |
| 34 | *.5 ↑ | 39 | *.6 ○ |
| 35 | *.5 ↖ | 40 | *.7 ○ |

Match
S-10: 103.5 SUM: 409.8 (24) TOT: 409.8 (24)



| | | | |
|----|-------|----|-------|
| 11 | X.1 ↗ | 16 | 9.9 ↓ |
| 12 | 9.8 ↗ | 17 | 9.8 ↓ |
| 13 | 9.7 ↖ | 18 | X.1 ↖ |
| 14 | *.4 ↑ | 19 | *.7 ○ |
| 15 | *.8 ○ | 20 | X.1 ↗ |

Match
S-10: 101.4



| | | | |
|----|-------|----|-------|
| 21 | *.7 ○ | 26 | *.2 ↑ |
| 22 | *.2 ↘ | 27 | *.5 ← |
| 23 | *.6 ○ | 28 | *.6 ○ |
| 24 | *.8 ○ | 29 | *.2 → |
| 25 | *.6 ○ | 30 | X.0 ↗ |

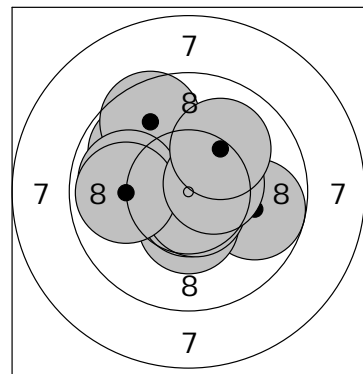
Match
S-10: 104.4

Lag 1 Skive 4

Sakskøbing 10m Åben 2018-1Stev - Sakskøbing Skytteforening

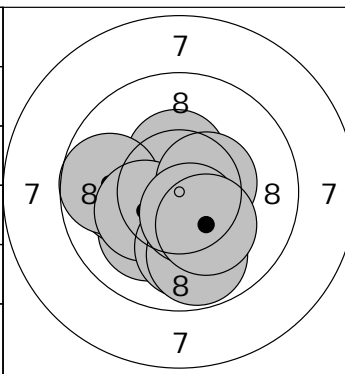
Tage Jensen
1ykøbing F. Skytteforening

Klasse R-OB



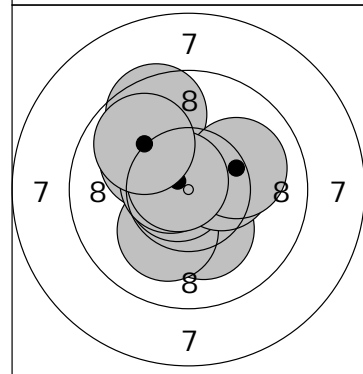
| | | | | | |
|---|-----|---|----|-----|---|
| 1 | 9.8 | → | 6 | *.7 | ○ |
| 2 | *.4 | ↓ | 7 | 9.9 | ← |
| 3 | 9.8 | ↖ | 8 | 9.9 | ← |
| 4 | *.7 | ○ | 9 | *.5 | → |
| 5 | 9.6 | ↖ | 10 | X.0 | ↗ |

Match
S-10: 101.3



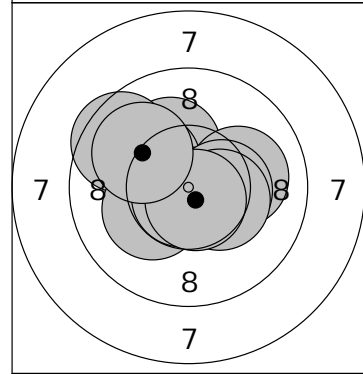
| | | | | | |
|----|-----|---|----|-----|---|
| 31 | X.1 | ↙ | 36 | *.4 | → |
| 32 | X.0 | ← | 37 | X.0 | ↓ |
| 33 | *.4 | ↑ | 38 | 9.8 | ↓ |
| 34 | 9.7 | ← | 39 | *.5 | ↓ |
| 35 | *.3 | ↙ | 40 | *.2 | ↘ |

Match
S-10: 101.4 SUM: 407.2 (21) TOT: 407.2 (21)



| | | | | | |
|----|-----|---|----|-----|---|
| 11 | *.2 | ↓ | 16 | *.6 | ○ |
| 12 | X.1 | ↖ | 17 | *.3 | → |
| 13 | X.1 | ↙ | 18 | X.0 | ↗ |
| 14 | 9.5 | ↖ | 19 | *.7 | ○ |
| 15 | *.8 | ○ | 20 | 9.8 | ↖ |

Match
S-10: 102.1



| | | | | | |
|----|-----|---|----|-----|---|
| 21 | *.2 | ↖ | 26 | *.8 | ○ |
| 22 | X.1 | → | 27 | *.4 | → |
| 23 | 9.5 | ↖ | 28 | *.4 | → |
| 24 | *.2 | ↖ | 29 | *.7 | ○ |
| 25 | *.2 | ↙ | 30 | 9.9 | ↖ |

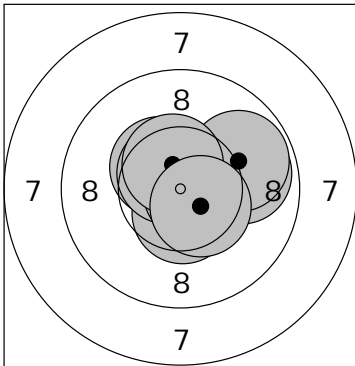
Match
S-10: 102.4

Lag 1 Skive 5

Sakskøbing 10m Åben 2018-1Stev - Sakskøbing Skytteforening

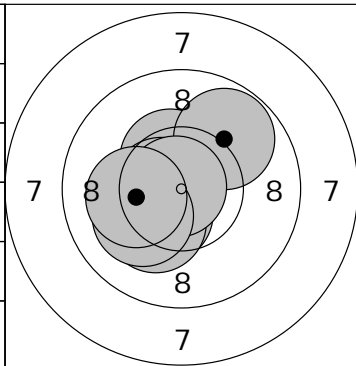
Hans Pii
Nykøbing F. Skytteforening

Klasse R-S1



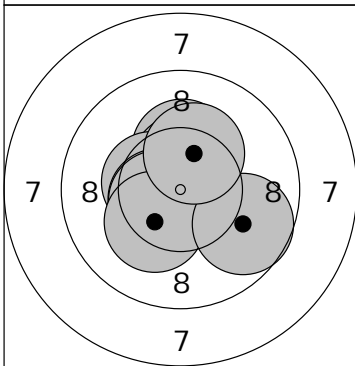
| | | | |
|---|-------|----|-------|
| 1 | *.9 ○ | 6 | 9.9 → |
| 2 | *.5 ↓ | 7 | *.7 ○ |
| 3 | *.4 ↗ | 8 | 9.8 ↗ |
| 4 | *.7 ○ | 9 | *.5 ↑ |
| 5 | *.6 ○ | 10 | *.5 ↘ |

Match
S-10: 104.5



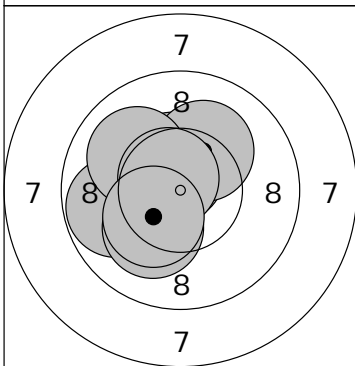
| | | | |
|----|-------|----|-------|
| 31 | *.4 ← | 36 | *.2 ↙ |
| 32 | *.3 ↙ | 37 | *.6 ○ |
| 33 | *.4 ↗ | 38 | *.8 ○ |
| 34 | 9.8 ↗ | 39 | X.1 ↙ |
| 35 | *.4 ↙ | 40 | X.1 ← |

Match
S-10: 103.8 SUM: 414.4 (31) TOT: 414.4 (31)



| | | | |
|----|-------|----|-------|
| 11 | *.3 ↑ | 16 | *.8 ○ |
| 12 | *.5 ↑ | 17 | *.5 ← |
| 13 | *.4 ← | 18 | *.2 ↙ |
| 14 | *.6 ○ | 19 | 9.7 ↘ |
| 15 | *.5 ← | 20 | *.3 ↑ |

Match
S-10: 103.8



| | | | |
|----|-------|----|-------|
| 21 | *.4 ↑ | 26 | *.2 ↗ |
| 22 | *.6 ○ | 27 | X.0 ↖ |
| 23 | *.6 ○ | 28 | X.1 ↙ |
| 24 | *.3 ← | 29 | *.7 ○ |
| 25 | 9.8 ← | 30 | *.3 ↙ |

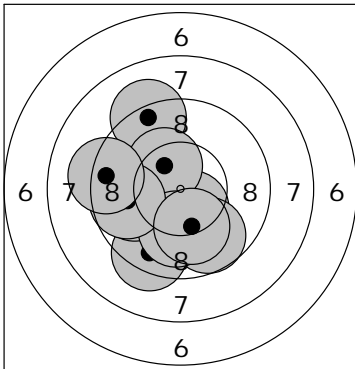
Match
S-10: 103.0

Lag 1 Skive 7

Sakskøbing 10m Åben 2018-1Stev - Sakskøbing Skytteforening

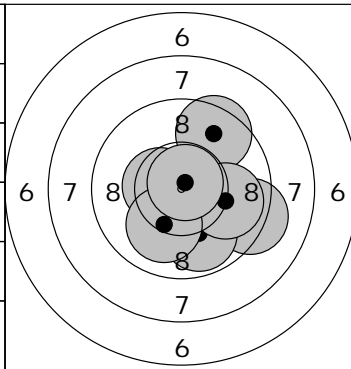
Ole Andersen
Væggerløse Skytteforening

Klasse R-OB



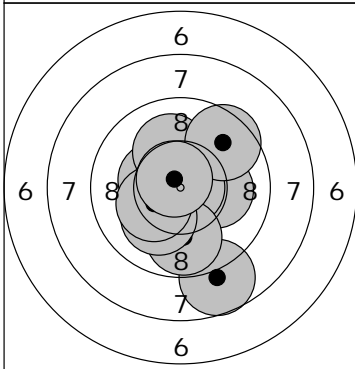
| | | | |
|---|-------|----|-------|
| 1 | *.4 ↘ | 6 | *.3 ↗ |
| 2 | 9.3 ↘ | 7 | X.0 ↓ |
| 3 | 9.7 ↘ | 8 | 9.7 ← |
| 4 | 9.1 ↗ | 9 | 9.2 ← |
| 5 | 9.8 ← | 10 | X.0 ↓ |

Match
S-10: 97.5



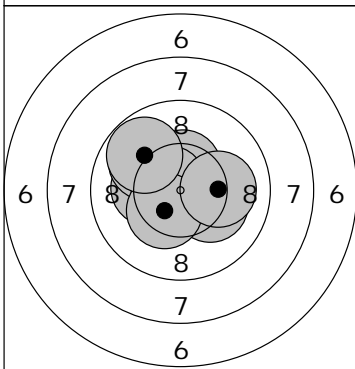
| | | | |
|----|-------|----|-------|
| 31 | 9.2 → | 36 | *.5 ← |
| 32 | *.5 ↘ | 37 | 9.5 ↗ |
| 33 | *.2 ↓ | 38 | 9.9 → |
| 34 | 9.8 ↓ | 39 | X.0 ↓ |
| 35 | *.7 ○ | 40 | *.8 ○ |

Match
S-10: 101.6 ΣUM: 401.6 (18) TOT: 401.6 (18)



| | | | |
|----|-------|----|-------|
| 11 | X.1 → | 16 | X.1 ↘ |
| 12 | *.8 ○ | 17 | *.2 ← |
| 13 | 8.7 ↘ | 18 | X.1 ↗ |
| 14 | 9.8 ↓ | 19 | 9.5 ↗ |
| 15 | *.4 ← | 20 | *.7 ○ |

Match
S-10: 100.4



| | | | |
|----|-------|----|-------|
| 21 | *.4 → | 26 | *.4 ↗ |
| 22 | *.2 ← | 27 | *.6 ○ |
| 23 | *.2 ↘ | 28 | *.4 ↘ |
| 24 | *.6 ○ | 29 | X.1 → |
| 25 | 9.9 ↗ | 30 | 9.8 ↗ |

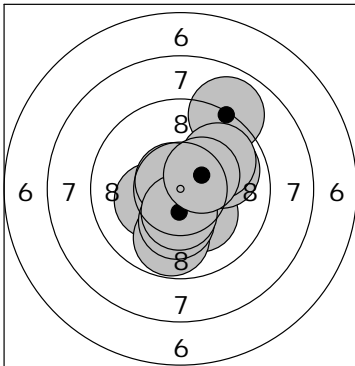
Match
S-10: 102.6

Lag 1 Skive 8

Sakskøbing 10m Åben 2018-1Stev - Sakskøbing Skytteforening

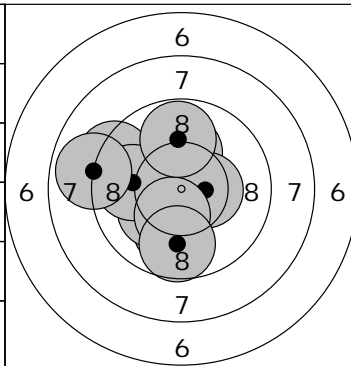
Erik André
Væggerløse Skytteforening

Klasse R-OB



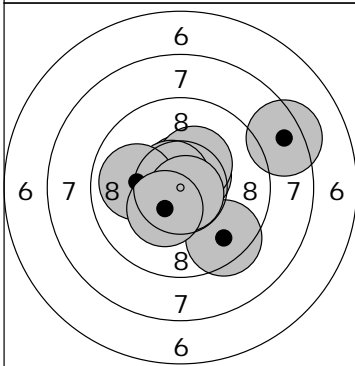
| | | | |
|---|-------|----|-------|
| 1 | *.2 ← | 6 | *.7 ○ |
| 2 | 8.9 ↗ | 7 | *.2 ↓ |
| 3 | *.2 ↓ | 8 | *.4 ↓ |
| 4 | 9.9 → | 9 | 9.9 ↗ |
| 5 | 9.8 ↓ | 10 | *.4 ↗ |

Match
S-10: 100.6



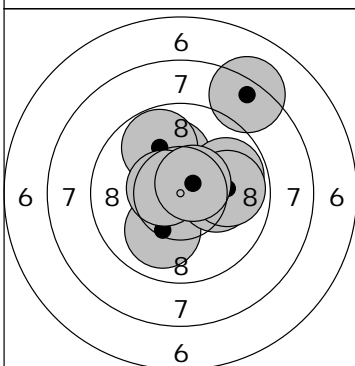
| | | | |
|----|-------|----|-------|
| 31 | X.0 ↓ | 36 | 9.8 ← |
| 32 | 9.3 ← | 37 | *.3 ↓ |
| 33 | X.1 ↑ | 38 | 9.8 ↑ |
| 34 | *.4 → | 39 | 8.9 ← |
| 35 | *.2 ↙ | 40 | 9.7 ↓ |

Match
S-10: 98.5 SUM: 400.1 (19) TOT: 400.1 (19)



| | | | |
|----|-------|----|-------|
| 11 | 8.3 → | 16 | 9.4 ↘ |
| 12 | *.5 ↗ | 17 | *.7 ○ |
| 13 | *.6 ○ | 18 | 9.9 ← |
| 14 | *.6 ○ | 19 | *.8 ○ |
| 15 | *.3 ↗ | 20 | *.3 ↘ |

Match
S-10: 101.4



| | | | |
|----|-------|----|-------|
| 21 | X.1 ↑ | 26 | X.1 → |
| 22 | *.5 ↖ | 27 | 9.8 → |
| 23 | X.0 ↓ | 28 | 9.9 → |
| 24 | 9.8 ↗ | 29 | 8.2 ↗ |
| 25 | *.6 ○ | 30 | *.6 ○ |

Match
S-10: 99.6